

**Features**

- Carved beveled drawer detail
- Tapered leg design
- Top drawer is false front
- Middle drawer is plumbing drawer
- Bottom drawer is full drawer

**Materials & Construction**

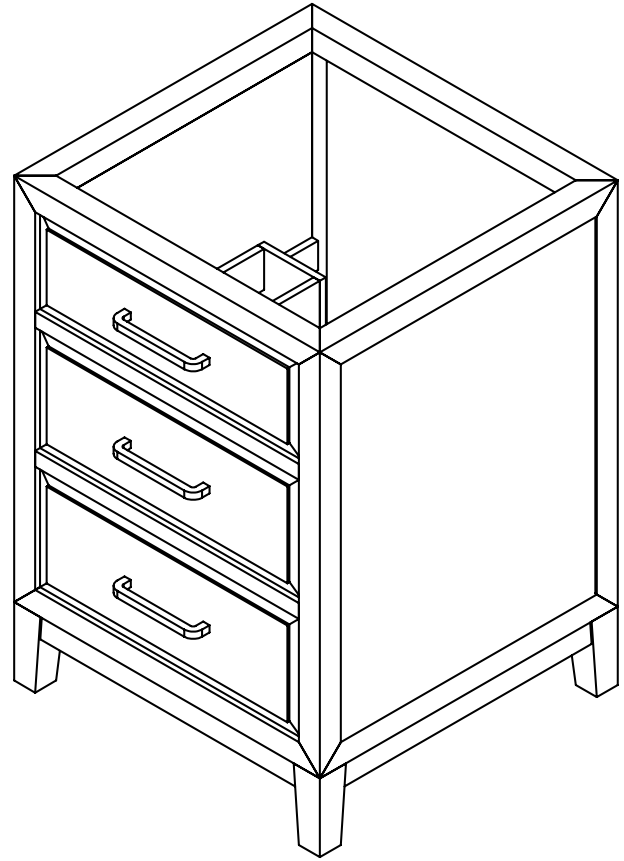
- Solid wood and veneer construction
- Full plywood back panel, no cutout
- Dovetailed drawers
- Pre-installed solid stainless steel hardware
- Blum undermount full extension slow close slides
- Durable, moisture resistant polyurethane finish
- Adjustable leveling feet

**Options**

- Available in:
  - CVCH2420369, Light Gray Oak paired with Brushed Pewter
  - CVCH2421068, Weathered Oak Drift paired with Iron Black
- Coordinating engineered stone tops:
  - TA24UCO93-8CS1
  - TA24UCO95-8CS1
  - TA24UCO96-8CS1
  - TA24UCO97-8CS1
  - TA24UCO98-8CS1
  - TA24UCO99-8CS1
  - TA24UCO100-8CS1
  - TA24UCO101-8CS1
- Coordinating mirrors available

**Dimensions**

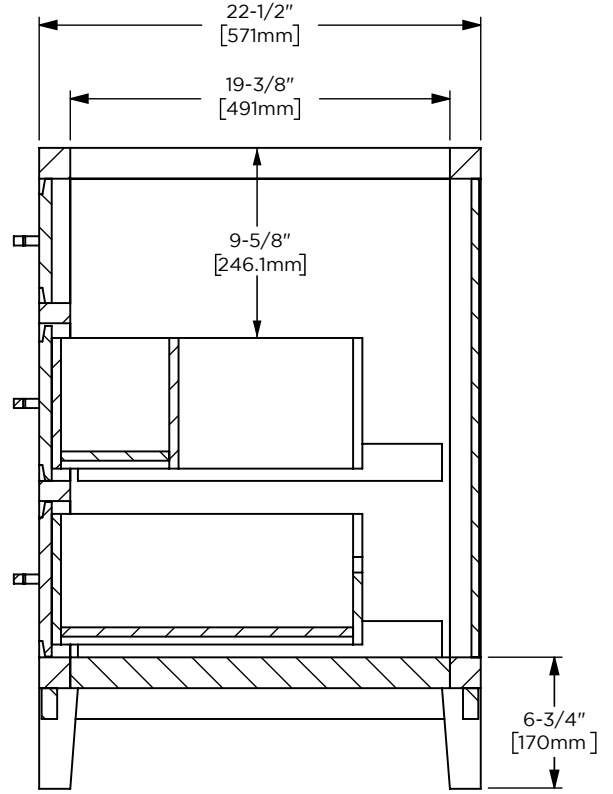
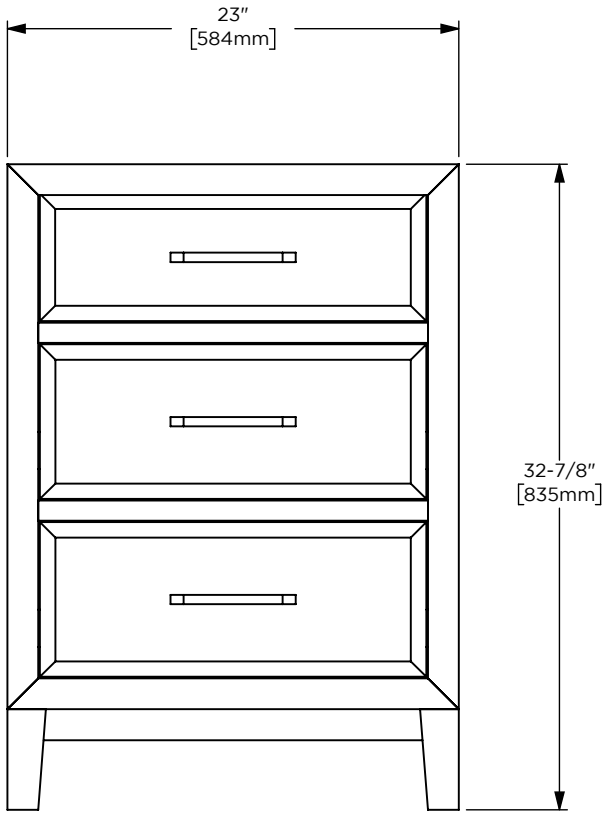
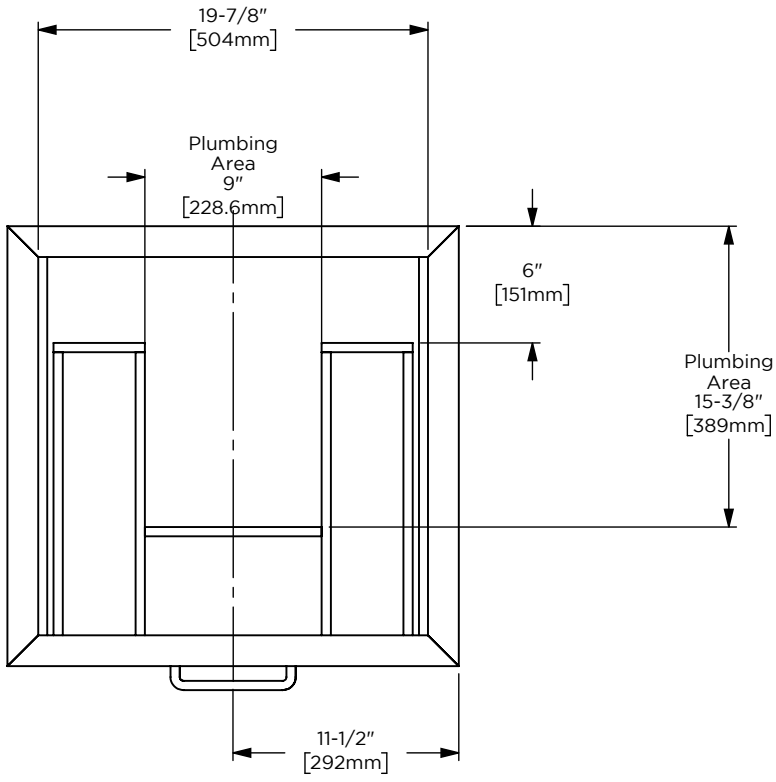
Width: 23"  
 Height: 32-7/8"  
 Depth: 22-1/2"



**Model Number Key**

PRODUCT LINE	CATEGORY	COLLECTION	WIDTH	FINISH OPTIONS	OPTIONS
C = Craft Series	V = Vanity	CH = Chestnut	24"	(See above)	(See above)

Chestnut Hill 24" Vanity CVCH24



Internal  
Construction

### Features

- Silestone Quartz Surface
- Includes Robern Ceramic Lavatory
- Includes installation hardware

### Materials & Construction

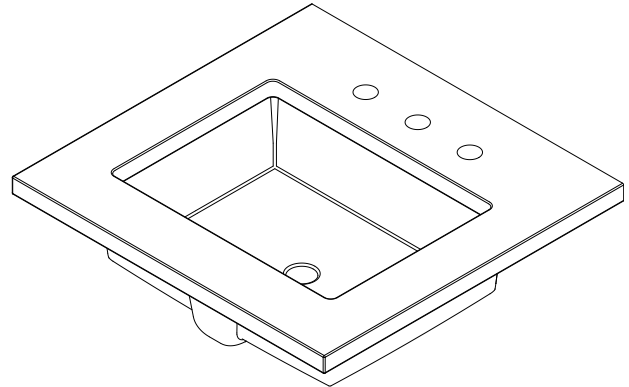
- Pre-drilled for 8" wide spread faucet

### Options

- Available finishes:
  - 93, White Zeus Extreme
  - 95, Eternal Marquina
  - 96, Pietra
  - 97, Calypso
  - 98, Eternal Serena
  - 99, Silken Pearl
  - 100, Eternal Calcatta Gold
  - 101, Iconic Black
- Pairs with Craft Series Chestnut Hill & Sendai 24" vanities

### Dimensions

Width: 24"  
Height: 1-1/8"  
Depth: 23"



### Model Number Key

CATEGORY	DEPTH	WIDTH	LAV TYPE	OVERFLOW	COLORS	DASH	FAUCET HOLES	OPTIONS
T = Top	A = 23" Depth Fabricated Top	24"	U = Under Counter	C = Center Mounted	(See above)	-	8 = 3 Holes Drilled (Centered on Lav Location)	(See above)

24" Top TA24UCOXXX-8CS1

